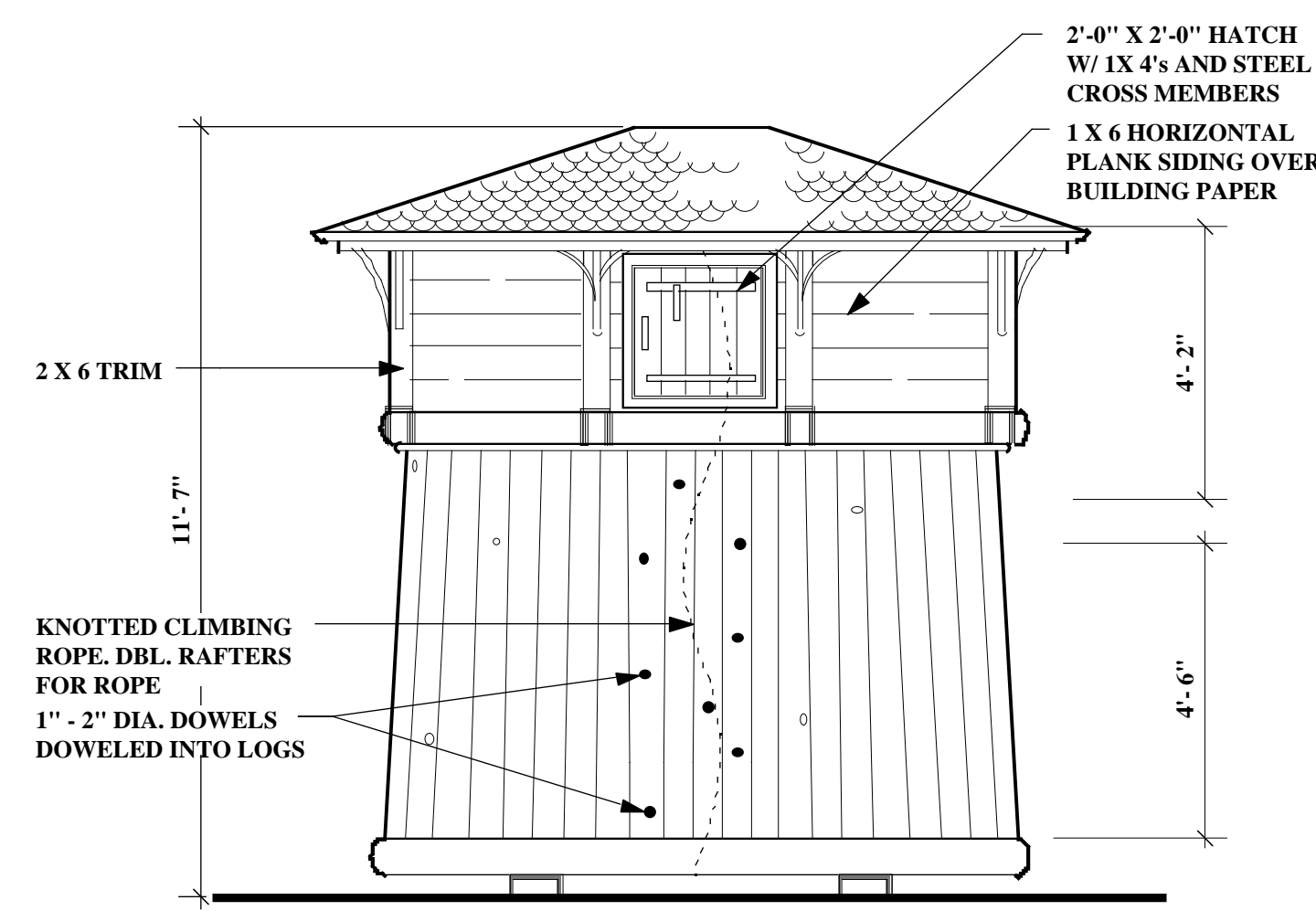


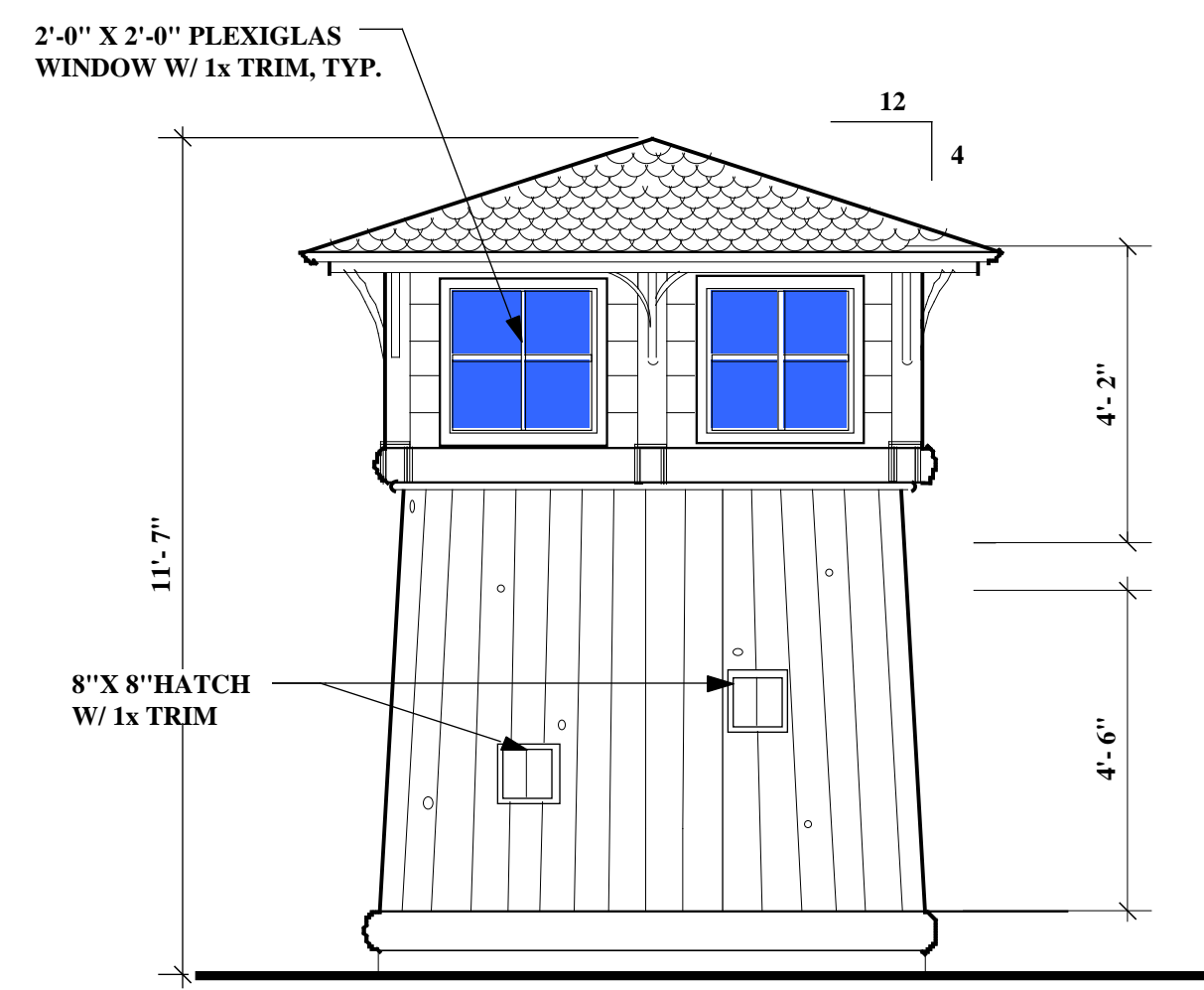
RIGHT ELEVATION

SCALE: 3/8" = 1'-0"



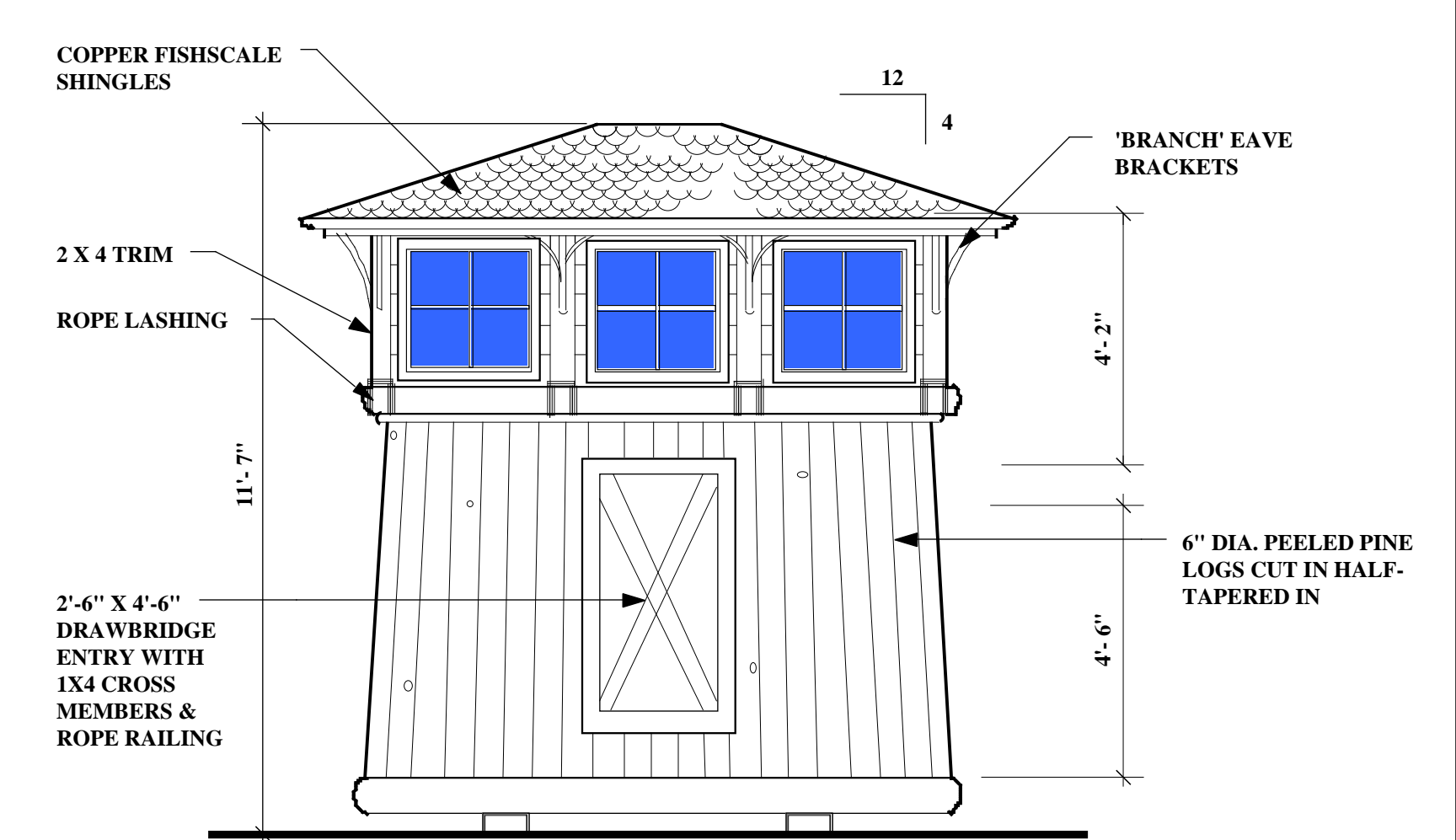
REAR ELEVATION

SCALE: 3/8" = 1'-0"



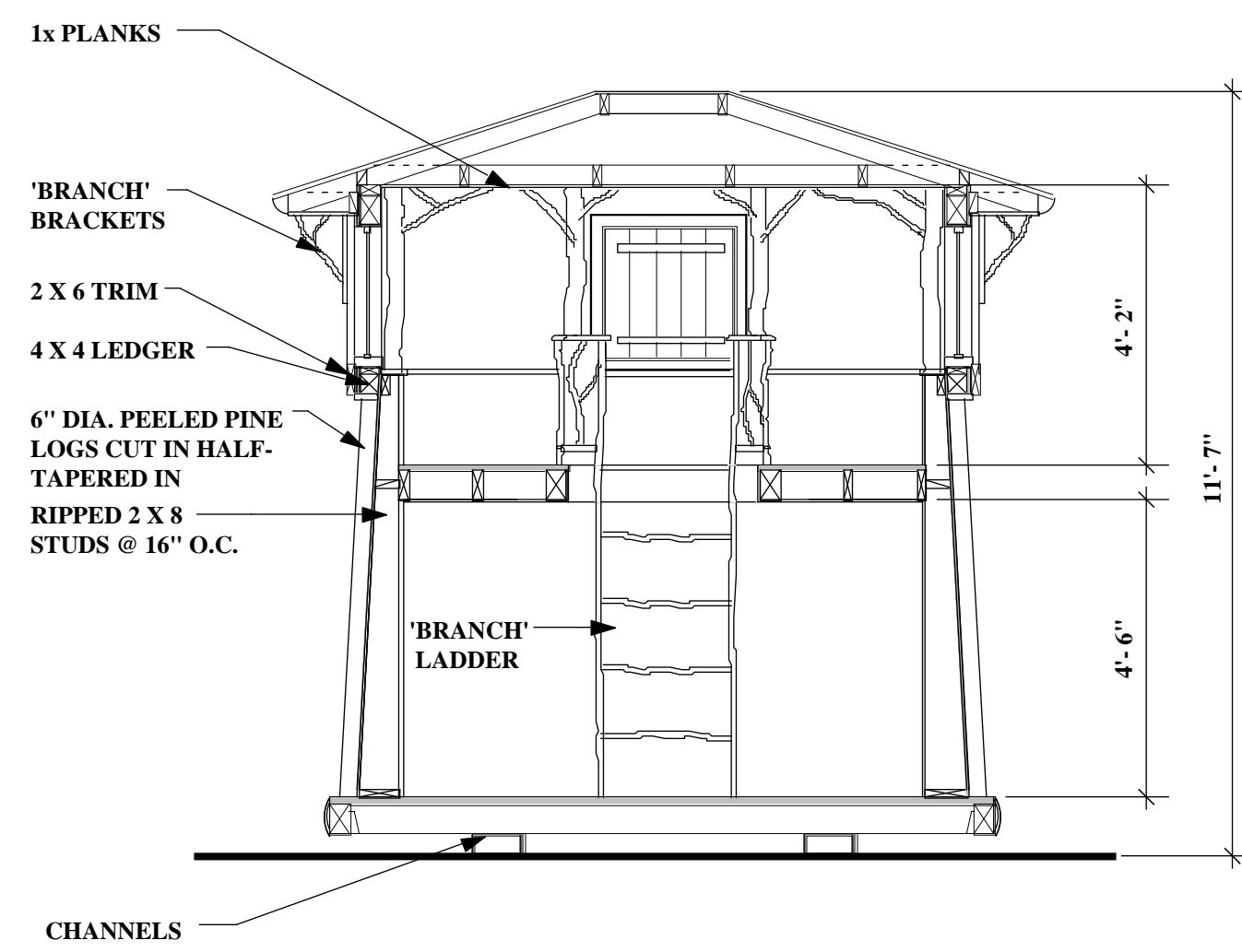
LEFT ELEVATION

SCALE: 3/8" = 1'-0"



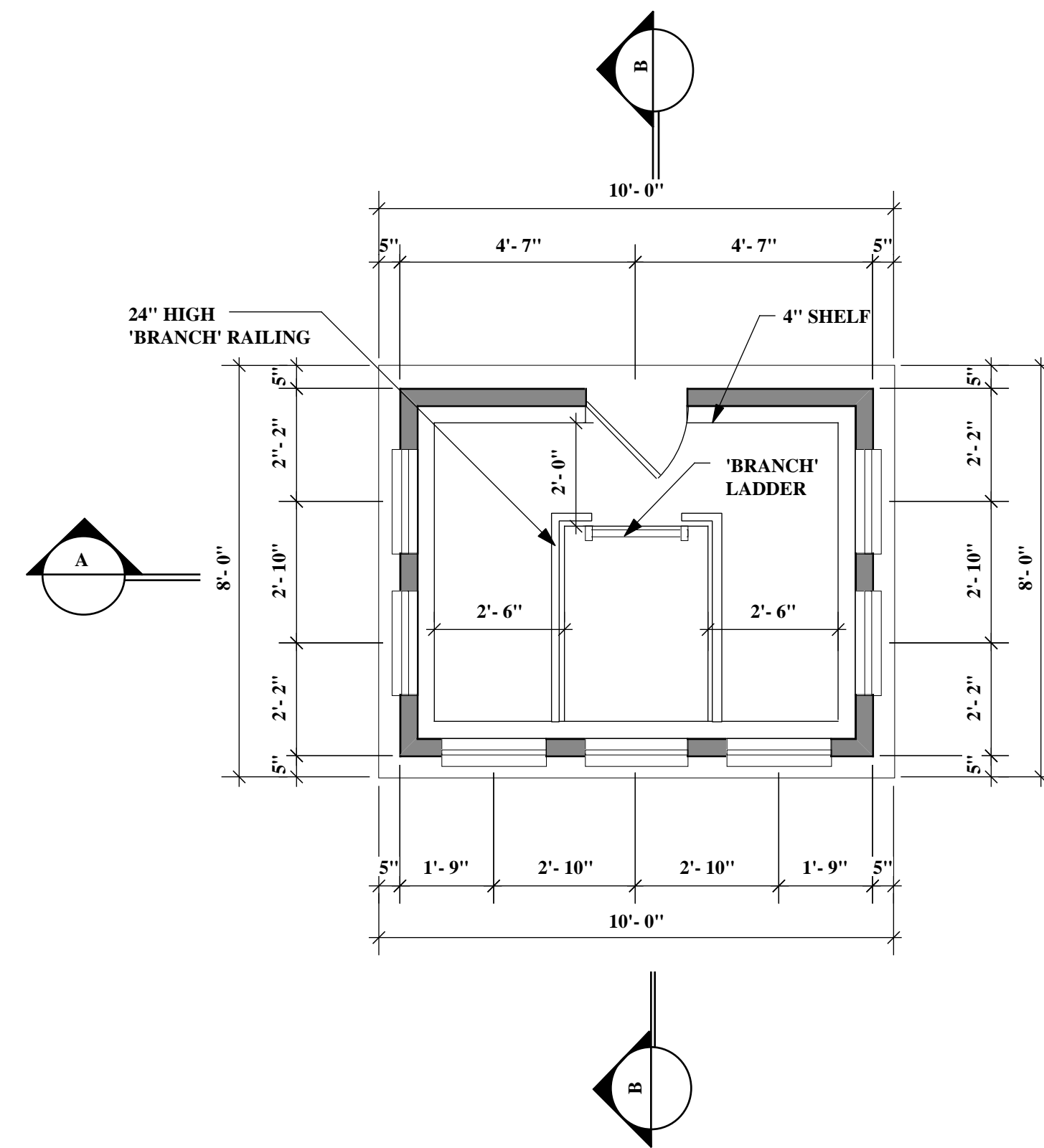
FRONT ELEVATION

SCALE: 3/8" = 1'-0"



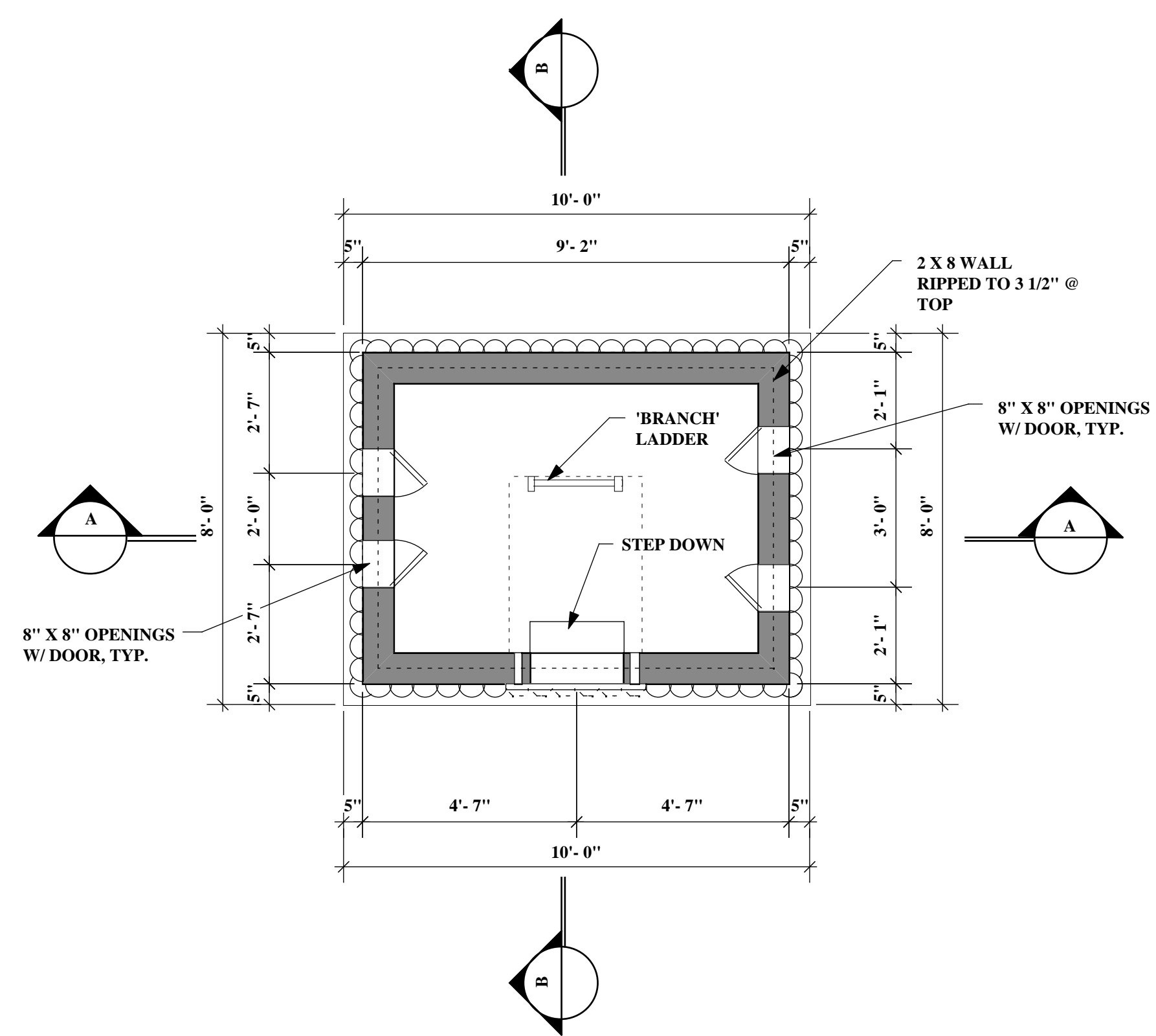
SECTION A

SCALE: 3/8" = 1'-0"



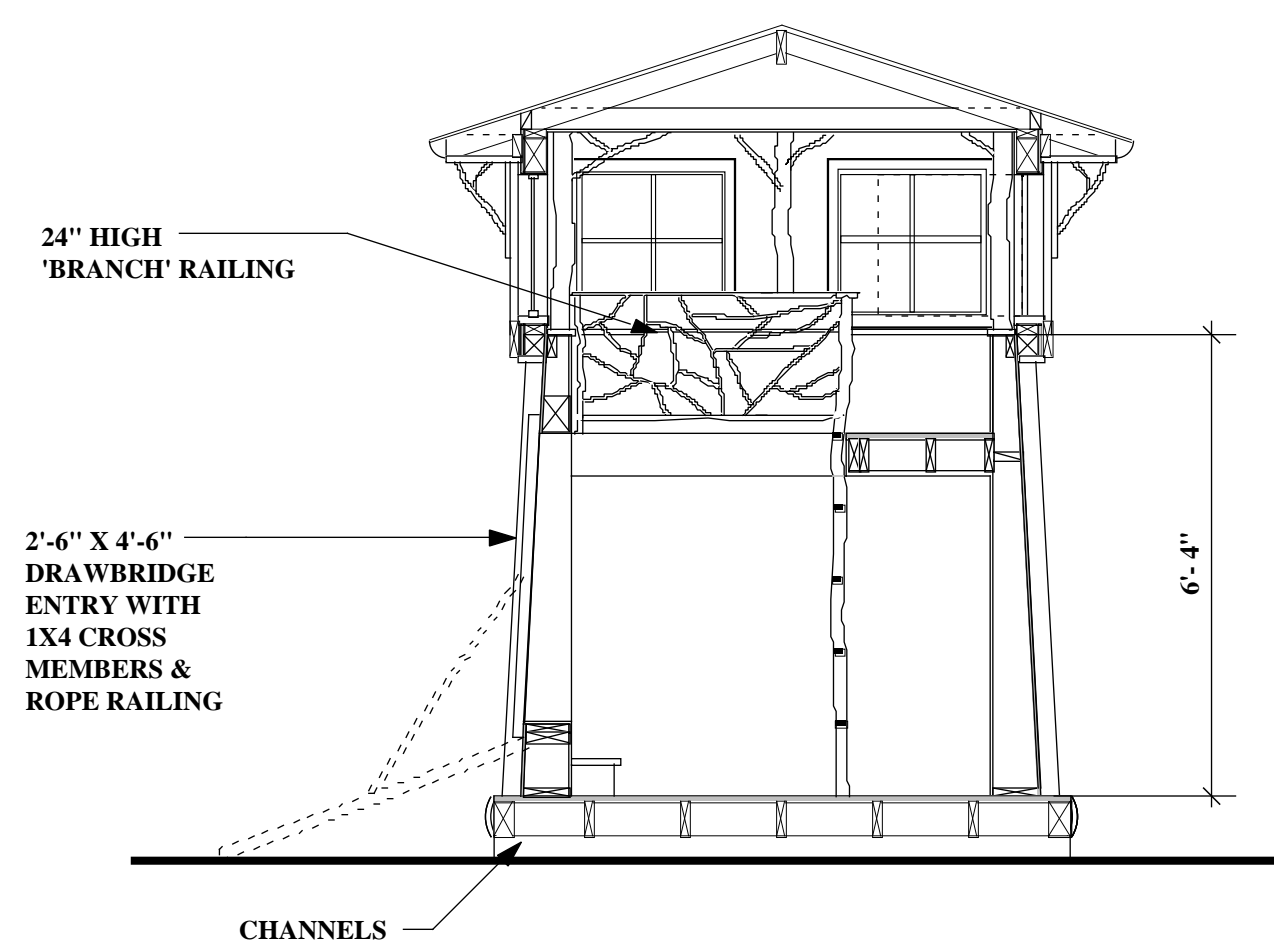
SECOND FLOOR PLAN

SCALE: 3/8" = 1'-0"



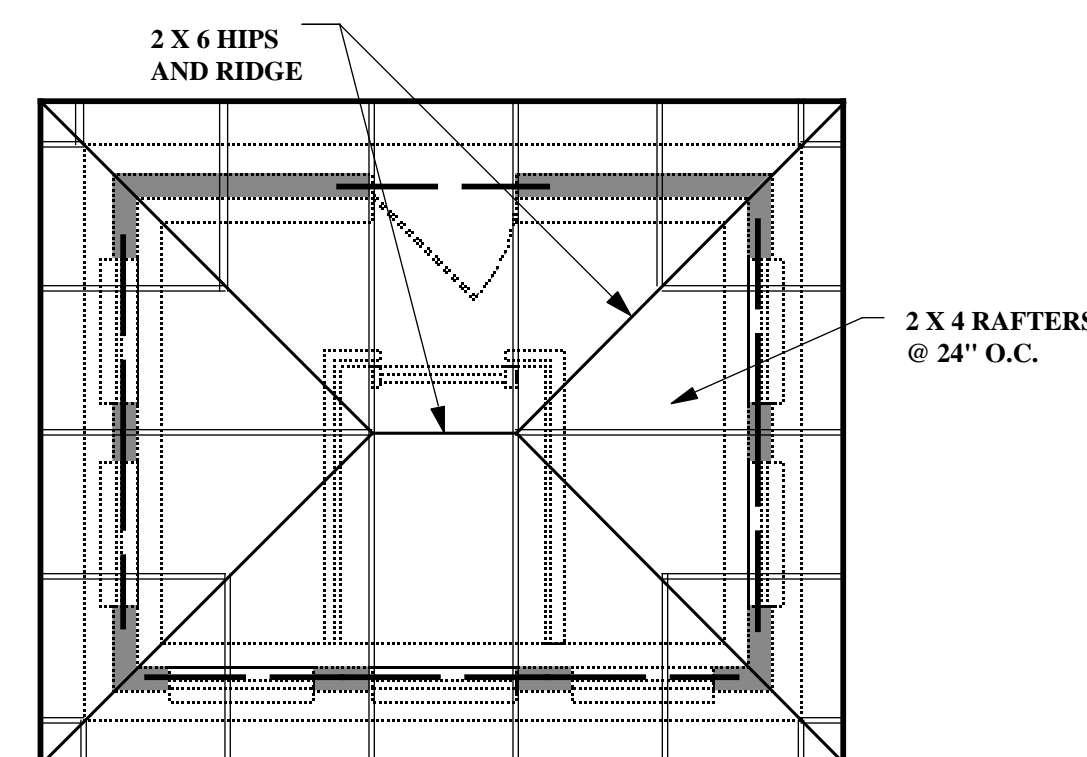
FIRST FLOOR PLAN

SCALE: 3/8" = 1'-0"



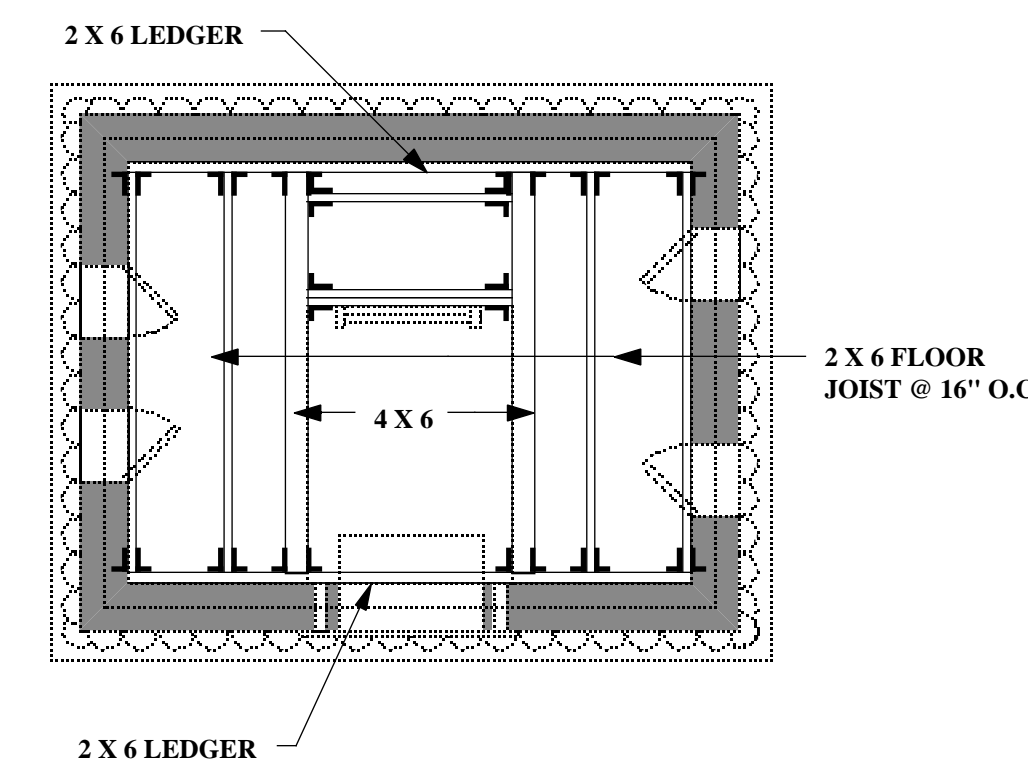
SECTION B

SCALE: 3/8" = 1'-0"



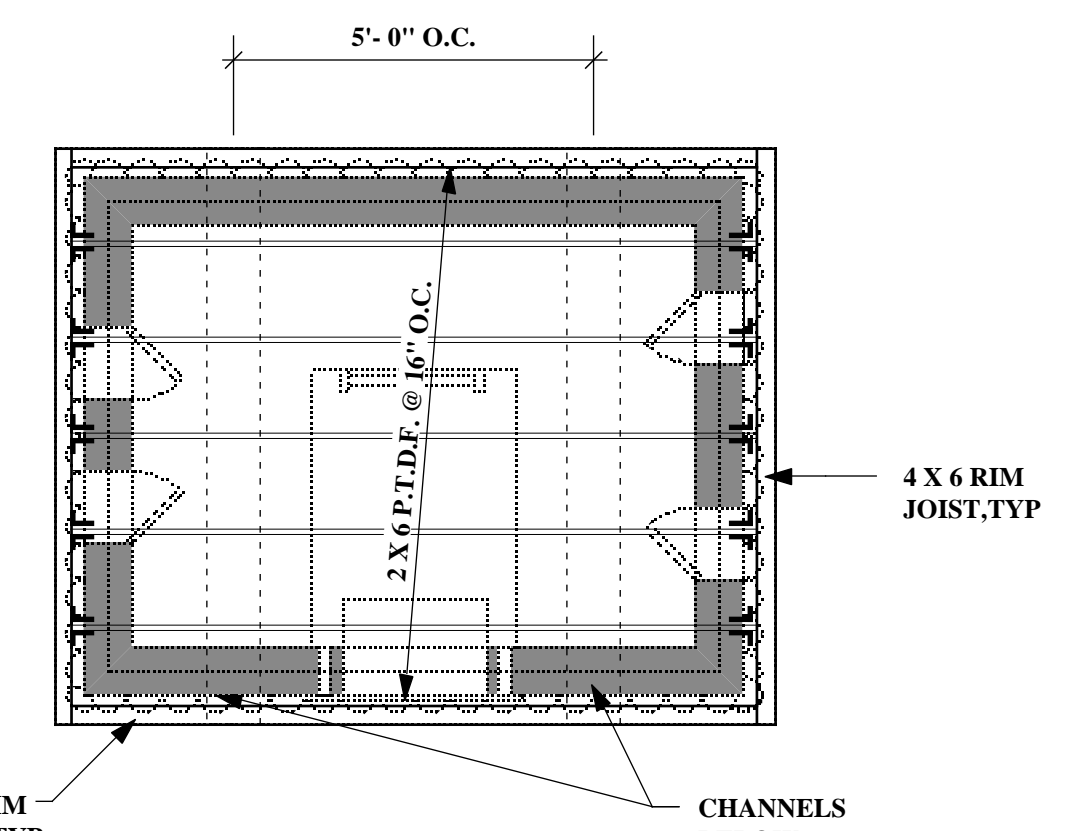
ROOF FRAMING

SCALE: 3/8" = 1'-0"



SECOND FLOOR FRAMING

SCALE: 3/8" = 1'-0"



FIRST FLOOR FRAMING

SCALE: 3/8" = 1'-0"

STATUS

REVISIONS

CONTENTS:

DATE:

DRAWN:

JOB:

SHEET: